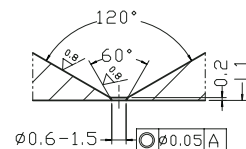
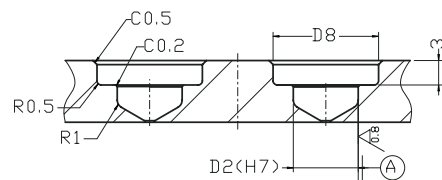
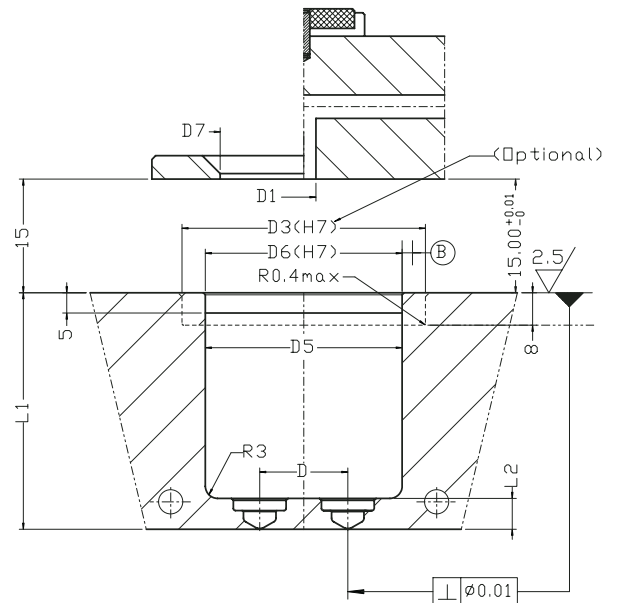
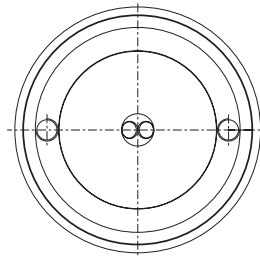
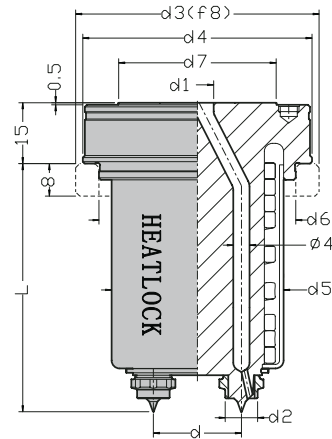


A2-MT

HEATLOCK®



A2-MT Series Features

- Easy to install, easy to use
- Fast gate cooling
- Suitable for direct gate on small parts
- For shot weights up to 140gram
- Titanium insulation optional

A2MT Series

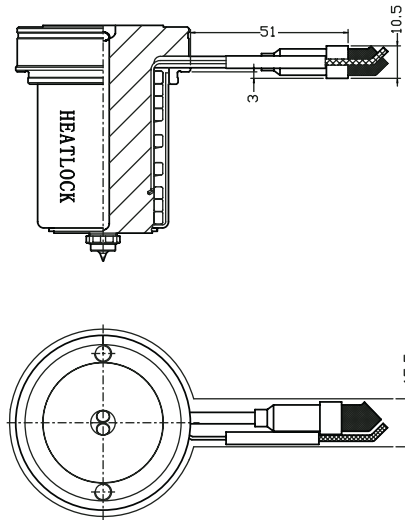
(mm)

Series	L	L1	d	d1	d2	d3	d4	d5	d6	d7	L2	D	D1	D2	D3	D5	D6	D7	D8
A2MT04040102	40	40.13	10	8	8	T50	48	34	39	32	7.5	10	8	8	T50	39	39	34	13
A2MT04080102	80	80.23																	
A2MT04060162	60	60.18	16	8	8	T54	52	38	44	34.5	7.5	16	8	8	T54	44	44	36.5	13
A2MT04080162	80	80.23																	
A2MT04060164	60	60.18																	
A2MT04080164	80	80.23																	

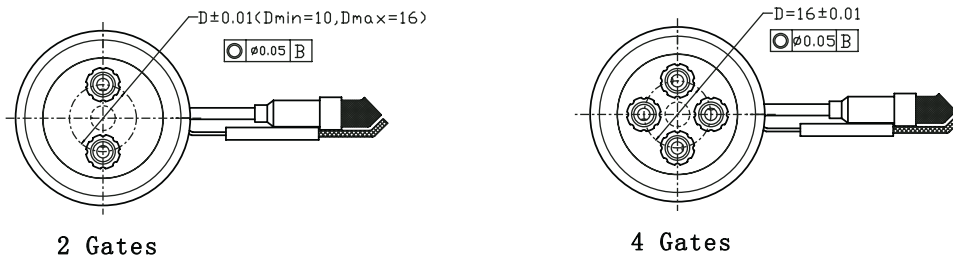
** D3 Dimension: T is Titanium

(mm)

Size	Shot Weight (g)	Low-viscosity	Med-viscosity	Gate size
A2MT		<140	<60	Ø 0.6 is the minimum, the maximum is 1.5mm



Gate layout (view from cavity)



2 Gates

4 Gates

** CC distance (D) or non-standard nozzle length can be made according to customer's requirement.

Order example :

A2MT--X--XXX---XX-X

(Series No.) (L) (D) (tip Qty)

A2MT 04 080 22 2