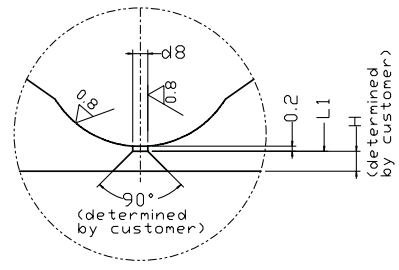
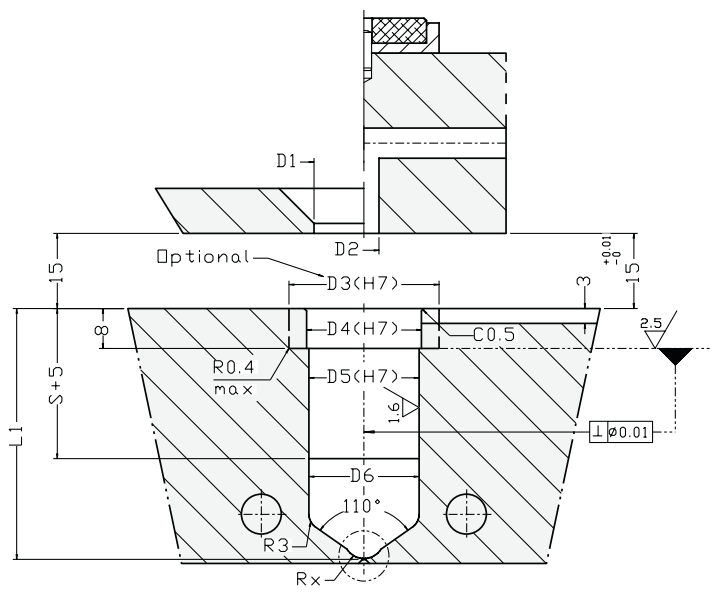
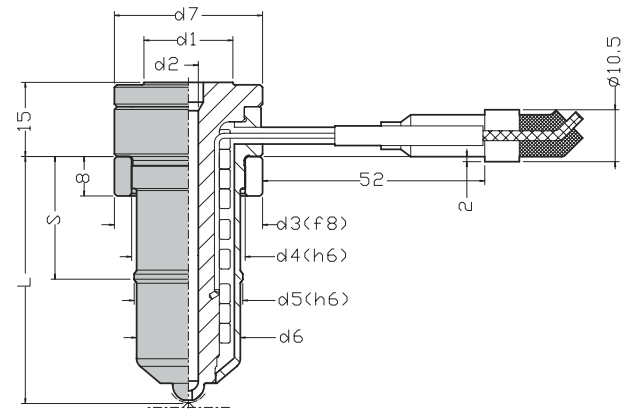
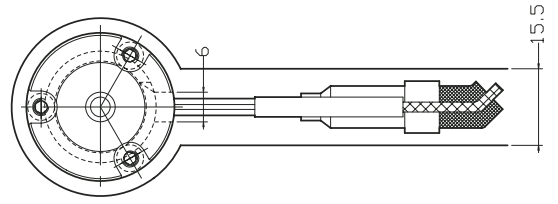


A1-PPT

HEATLOCK®



A1-T Series Features

- Easy to install, easy to use
- For direct gate or gate on runner
- Excellent heat control around gate area
- Ceramic (size 1) or Titanium insulation ring optional

A1PPT Series

(mm)

Size	L	L1	S	d1	d2	d3	d4	d5	d6	d7	d8	Rx	D1	D2	D3	D4	D5	D6
A1PPT104022	40	40.11	15	18	4	30	23	22	21	30	≥0.6	4	22	23	30	20	22	22
A1PPT105022	50	50.13	25															
A1PPT106022	60	60.15	25															
A1PPT108022	80	80.19	35															
A1PPT110022	100	100.23	45															
A1PPT112022	120	120.26	55															
A1PPT204026	40	40.08	15	25	6	40	27	26	24.5	35	≥0.8	5.5	27	6	40	27	26	26
A1PPT206026	60	60.16	25															
A1PPT208026	80	80.20	35															
A1PPT210026	100	100.24	45															
A1PPT212026	120	120.28	55															
A1PPT214026	140	140.31	65															
A1PPT216026	160	160.35	75															

Length Expansion (L1 = L + X.XX) (mm)

The software nozzle est.rar calculating L1 length is available on our website, please go to <http://www.heatlock.com/cad/cad.htm> and use the pull down menu to download it.

(mm)

Size	Shot Weight (g)	Low-viscosity	Med-viscosity	High-viscosity	Gate size
A1-PPT size 1		<200	<100	<40	d8 is the minimum, the maximum is 3mm
A1-PPT size 2		<500	<270	<150	d8 is the minimum, the maximum is 4mm

Order example :

A1PPT-X--XXX---XX

(Series No.) (L) (d5)

A1PPT 1 080 22