

ESB

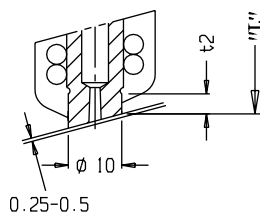
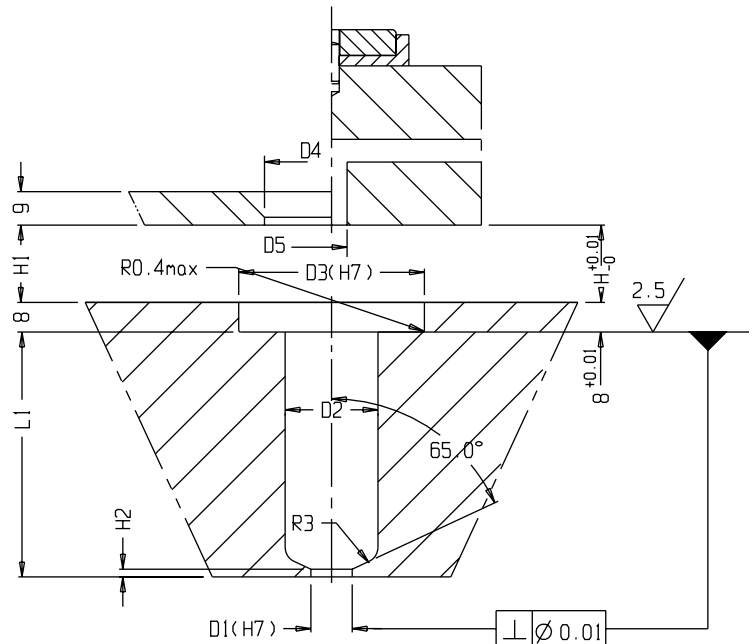
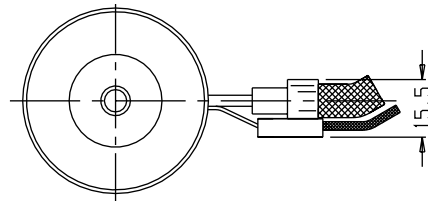
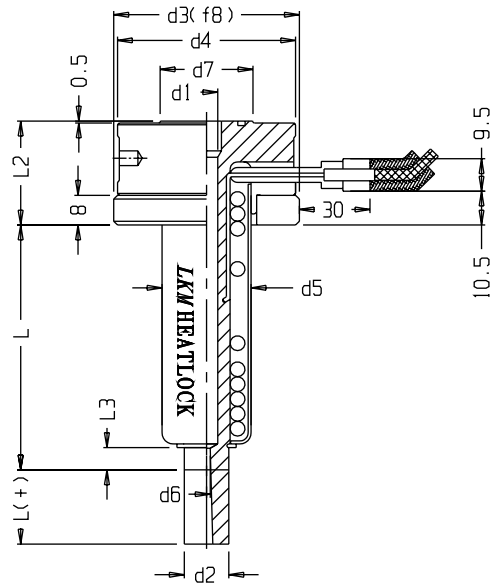
LKMHEATLOCK



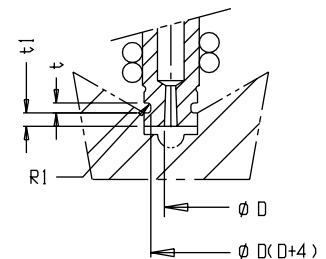
ESB特點

- 熱量分佈均勻
- 幾乎適用於所有塑料
- 減低注塑壓力和熱力
- 陶瓷隔熱，節能省電
- 設計簡單，使用方便
- 適用範圍 40克 - 1650克

This Heatlock series, below, is currently being replaced by the A1-series of nozzles. Before you design check availability, stock is gradually decreased. Spare parts will be available until at least end of 2007 (apart from NPT1 bodies)



產品與射咀不垂直



保持射咀前部溫度，減少熱量散失

